



TANK
EQUIPMENT



FLOWTREN

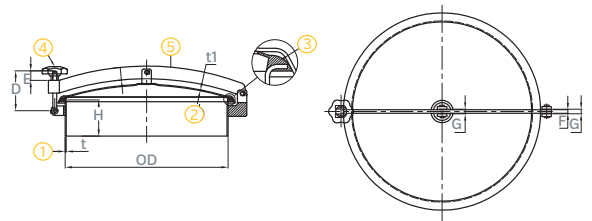
SMARTER, FASTER FLUID HANDLING SOLUTIONS



FLOWTREND MANWAYS

Flowtrend Round Cross Arm [FTRC] ▲

Size	Nominal OD [IN]	H [Neck Length]	t	t1	D	E	F	G	Wt (kg)
219	9"	100 [3.93"]	3 [.12"]	2 [.08"]	110 [4.33"]	26 [1"]	9 [.35"]	12 [.47"]	1.5
300	12"	100 [3.93"]	3 [.12"]	2.5 [.10"]	110 [4.33"]	26 [1"]	9 [.35"]	12 [.47"]	6.2
350	14"	100 [3.93"]	3 [.12"]	2.5 [.10"]	110 [4.33"]	26 [1"]	9 [.35"]	12 [.47"]	8
400	16"	100 [3.93"]	3 [.12"]	2.5 [.10"]	110 [4.33"]	26 [1"]	9 [.35"]	12 [.47"]	10
400	16"	150 [5.91"]	3 [.12"]	2.5 [.10"]	110 [4.33"]	26 [1"]	9 [.35"]	12 [.47"]	11
400	16"	200 [7.87"]	3 [.12"]	2.5 [.10"]	110 [4.33"]	26 [1"]	9 [.35"]	12 [.47"]	12.5
430	17"	100 [3.93"]	3 [.12"]	2.5 [.10"]	110 [4.33"]	26 [1"]	9 [.35"]	12 [.47"]	11.1
454	18"	100 [3.93"]	3 [.12"]	2.5 [.10"]	110 [4.33"]	26 [1"]	9 [.35"]	12 [.47"]	11.2
500	20"	100 [3.93"]	3 [.12"]	2.5 [.10"]	110 [4.33"]	26 [1"]	9 [.35"]	12 [.47"]	13
500	20"	150 [5.91"]	3 [.12"]	2.5 [.10"]	110 [4.33"]	26 [1"]	9 [.35"]	12 [.47"]	15
500	20"	200 [7.87"]	3 [.12"]	2.5 [.10"]	110 [4.33"]	26 [1"]	9 [.35"]	12 [.47"]	17
600	24"	100 [3.93"]	3 [.12"]	2.5 [.10"]	110 [4.33"]	26 [1"]	9 [.35"]	12 [.47"]	16
600	24"	150 [5.91"]	3 [.12"]	2.5 [.10"]	110 [4.33"]	26 [1"]	9 [.35"]	12 [.47"]	18.5
600	24"	200 [7.87"]	3 [.12"]	2.5 [.10"]	110 [4.33"]	26 [1"]	9 [.35"]	12 [.47"]	21



Flowtrend Round Cross Arm with Sight Glass [FTRCS]

Size	Nominal OD [IN]	H [Neck Length]	t	t1	D	E	F	G	Wt (kg)
219	9"	100 [3.93"]	3 [.12"]	2 [.08"]	110 [4.33"]	26 [1"]	9 [.35"]	12 [.47"]	1.5
300	12"	100 [3.93"]	3 [.12"]	2.5 [.10"]	110 [4.33"]	26 [1"]	9 [.35"]	12 [.47"]	6.2
350	14"	100 [3.93"]	3 [.12"]	2.5 [.10"]	110 [4.33"]	26 [1"]	9 [.35"]	12 [.47"]	8
400	16"	100 [3.93"]	3 [.12"]	2.5 [.10"]	110 [4.33"]	26 [1"]	9 [.35"]	12 [.47"]	10
400	16"	150 [5.91"]	3 [.12"]	2.5 [.10"]	110 [4.33"]	26 [1"]	9 [.35"]	12 [.47"]	11
400	16"	200 [7.87"]	3 [.12"]	2.5 [.10"]	110 [4.33"]	26 [1"]	9 [.35"]	12 [.47"]	12.5
430	17"	100 [3.93"]	3 [.12"]	2.5 [.10"]	110 [4.33"]	26 [1"]	9 [.35"]	12 [.47"]	11.1
454	18"	100 [3.93"]	3 [.12"]	2.5 [.10"]	110 [4.33"]	26 [1"]	9 [.35"]	12 [.47"]	11.2
500	20"	100 [3.93"]	3 [.12"]	2.5 [.10"]	110 [4.33"]	26 [1"]	9 [.35"]	12 [.47"]	13
500	20"	150 [5.91"]	3 [.12"]	2.5 [.10"]	110 [4.33"]	26 [1"]	9 [.35"]	12 [.47"]	15
500	20"	200 [7.87"]	3 [.12"]	2.5 [.10"]	110 [4.33"]	26 [1"]	9 [.35"]	12 [.47"]	17
600	24"	100 [3.93"]	3 [.12"]	2.5 [.10"]	110 [4.33"]	26 [1"]	9 [.35"]	12 [.47"]	16
600	24"	150 [5.91"]	3 [.12"]	2.5 [.10"]	110 [4.33"]	26 [1"]	9 [.35"]	12 [.47"]	18.5
600	24"	200 [7.87"]	3 [.12"]	2.5 [.10"]	110 [4.33"]	26 [1"]	9 [.35"]	12 [.47"]	21



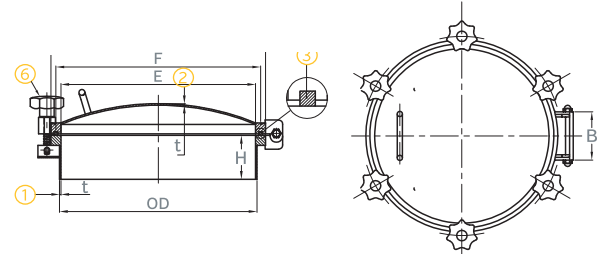
Flowtrend Round Manway (FTRM) ▶

Size	Nominal OD (IN)	H (Neck Length)	t	t1	D	E	F	G	Wt (kg)
200	8"	115 [4.53"]	3 [.12"]	2 [.08"]	110 [4.33"]	194 [7.6"]	214 [8.4"]	234 [9.2"]	10
300	12"	100 [3.93"]	3 [.12"]	2.5 [1.0"]	110 [4.33"]	294 [11.6"]	314 [12.4"]	334 [13.1"]	13
350	14"	100 [3.93"]	3 [.12"]	2.5 [1.0"]	110 [4.33"]	344 [13.5"]	364 [14.3"]	384 [15.1"]	15.5
400	16"	100 [3.93"]	3 [.12"]	2.5 [1.0"]	110 [4.33"]	394 [15.5"]	414 [16.3"]	434 [17.1"]	18
450	18"	100 [3.93"]	3 [.12"]	2.5 [1.0"]	110 [4.33"]	444 [17.5"]	464 [18.3"]	484 [19.1"]	19.5
500	20"	100 [3.93"]	3 [.12"]	2.5 [1.0"]	110 [4.33"]	494 [19.4"]	514 [20.2"]	534 [21.0"]	21
600	24"	100 [3.93"]	3 [.12"]	2.5 [1.0"]	110 [4.33"]	594 [23.4"]	614 [21.2"]	634 [25.0"]	28



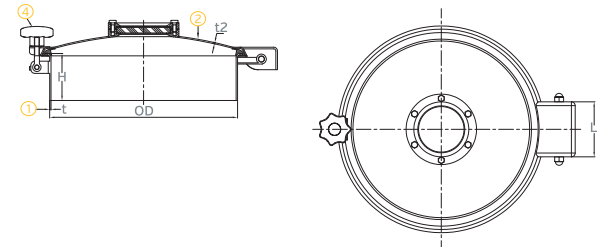
Flowtrend Round Manway with Sight Glass (FTRMS) ▶

Size	Nominal OD (IN)	H (Neck Length)	t	t1	D	E	F	G	Wt (kg)
200	8"	115 [4.53"]	3 [.12"]	2 [.08"]	110 [4.33"]	194 [7.6"]	214 [8.4"]	234 [9.2"]	10
300	12"	100 [3.93"]	3 [.12"]	2.5 [1.0"]	110 [4.33"]	294 [11.6"]	314 [12.4"]	334 [13.1"]	13
350	14"	100 [3.93"]	3 [.12"]	2.5 [1.0"]	110 [4.33"]	344 [13.5"]	364 [14.3"]	384 [15.1"]	15.5
400	16"	100 [3.93"]	3 [.12"]	2.5 [1.0"]	110 [4.33"]	394 [15.5"]	414 [16.3"]	434 [17.1"]	18
450	18"	100 [3.93"]	3 [.12"]	2.5 [1.0"]	110 [4.33"]	444 [17.5"]	464 [18.3"]	484 [19.1"]	19.5
500	20"	100 [3.93"]	3 [.12"]	2.5 [1.0"]	110 [4.33"]	494 [19.4"]	514 [20.2"]	534 [21.0"]	21
600	24"	100 [3.93"]	3 [.12"]	2.5 [1.0"]	110 [4.33"]	594 [23.4"]	614 [21.2"]	634 [25.0"]	28



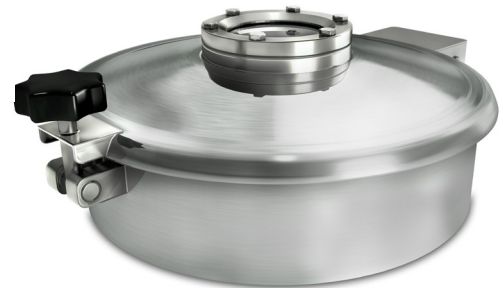
Flowtrend Round Manway with Flat Hinge (FTRH) ▶

Size	Nominal OD (IN)	H (Neck Length)	t	t1	D	E	F	G	Wt (kg)
219	9"	100 [3.93"]	3 [.12"]	2 [.08"]	110 [4.33"]	26 [1"]	9 [.35"]	12 [.47"]	1.5
300	12"	100 [3.93"]	3 [.12"]	2.5 [1.0"]	110 [4.33"]	26 [1"]	9 [.35"]	12 [.47"]	6.2
350	14"	100 [3.93"]	3 [.12"]	2.5 [1.0"]	110 [4.33"]	26 [1"]	9 [.35"]	12 [.47"]	8
400	16"	100 [3.93"]	3 [.12"]	2.5 [1.0"]	110 [4.33"]	26 [1"]	9 [.35"]	12 [.47"]	10
400	16"	150 [5.91"]	3 [.12"]	2.5 [1.0"]	110 [4.33"]	26 [1"]	9 [.35"]	12 [.47"]	11
400	16"	200 [7.87"]	3 [.12"]	2.5 [1.0"]	110 [4.33"]	26 [1"]	9 [.35"]	12 [.47"]	12.5
450	18"	100 [3.93"]	3 [.12"]	2.5 [1.0"]	110 [4.33"]	26 [1"]	9 [.35"]	12 [.47"]	11.2
500	20"	100 [3.93"]	3 [.12"]	2.5 [1.0"]	110 [4.33"]	26 [1"]	9 [.35"]	12 [.47"]	13
500	20"	150 [5.91"]	3 [.12"]	2.5 [1.0"]	110 [4.33"]	26 [1"]	9 [.35"]	12 [.47"]	15
500	20"	200 [7.87"]	3 [.12"]	2.5 [1.0"]	110 [4.33"]	26 [1"]	9 [.35"]	12 [.47"]	17
600	24"	100 [3.93"]	3 [.12"]	2.5 [1.0"]	110 [4.33"]	26 [1"]	9 [.35"]	12 [.47"]	16
600	24"	150 [5.91"]	3 [.12"]	2.5 [1.0"]	110 [4.33"]	26 [1"]	9 [.35"]	12 [.47"]	18.5
600	24"	200 [7.87"]	3 [.12"]	2.5 [1.0"]	110 [4.33"]	26 [1"]	9 [.35"]	12 [.47"]	21



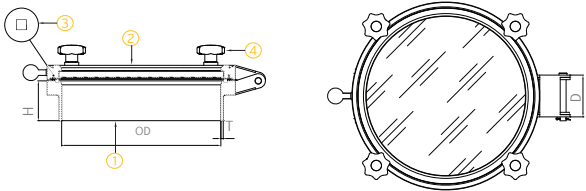
Flowtrend Round Manway with Flat Hinge & Sight Glass (FTRHS) ▶

Size	Nominal OD (IN)	H (Neck Length)	t	t1	D	E	F	G	Wt (kg)
219	9"	100 [3.93"]	3 [.12"]	2 [.08"]	110 [4.33"]	26 [1"]	9 [.35"]	12 [.47"]	1.5
300	12"	100 [3.93"]	3 [.12"]	2.5 [1.0"]	110 [4.33"]	26 [1"]	9 [.35"]	12 [.47"]	6.2
350	14"	100 [3.93"]	3 [.12"]	2.5 [1.0"]	110 [4.33"]	26 [1"]	9 [.35"]	12 [.47"]	8
400	16"	100 [3.93"]	3 [.12"]	2.5 [1.0"]	110 [4.33"]	26 [1"]	9 [.35"]	12 [.47"]	10
400	16"	150 [5.91"]	3 [.12"]	2.5 [1.0"]	110 [4.33"]	26 [1"]	9 [.35"]	12 [.47"]	11
400	16"	200 [7.87"]	3 [.12"]	2.5 [1.0"]	110 [4.33"]	26 [1"]	9 [.35"]	12 [.47"]	12.5
450	18"	100 [3.93"]	3 [.12"]	2.5 [1.0"]	110 [4.33"]	26 [1"]	9 [.35"]	12 [.47"]	11.2
500	20"	100 [3.93"]	3 [.12"]	2.5 [1.0"]	110 [4.33"]	26 [1"]	9 [.35"]	12 [.47"]	13
500	20"	150 [5.91"]	3 [.12"]	2.5 [1.0"]	110 [4.33"]	26 [1"]	9 [.35"]	12 [.47"]	15
500	20"	200 [7.87"]	3 [.12"]	2.5 [1.0"]	110 [4.33"]	26 [1"]	9 [.35"]	12 [.47"]	17
600	24"	100 [3.93"]	3 [.12"]	2.5 [1.0"]	110 [4.33"]	26 [1"]	9 [.35"]	12 [.47"]	16
600	24"	150 [5.91"]	3 [.12"]	2.5 [1.0"]	110 [4.33"]	26 [1"]	9 [.35"]	12 [.47"]	18.5
600	24"	200 [7.87"]	3 [.12"]	2.5 [1.0"]	110 [4.33"]	26 [1"]	9 [.35"]	12 [.47"]	21

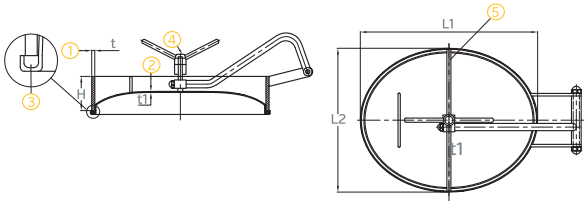




Flowtrend Round Manway with Glass Dome (FTRG) ▲

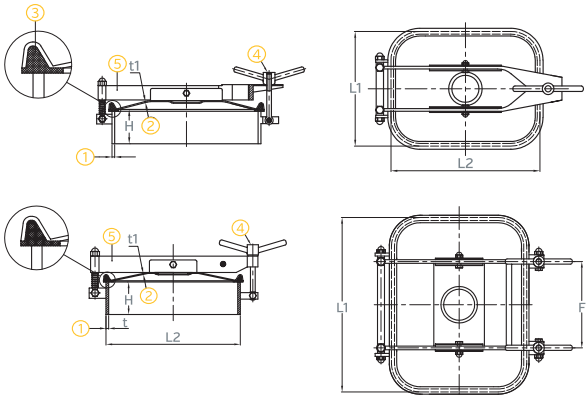


Size	Nominal OD (in)	Ht (Neck Length)	t	t1	D	E	F	G	Wt (kg)
300	12"	100 [3.93"]	3 [.12"]	2.5 [.10"]	110 [4.33"]	26 [1"]	9 [.35"]	12 [.47"]	6.2
400	16"	100 [3.93"]	3 [.12"]	2.5 [.10"]	110 [4.33"]	26 [1"]	9 [.35"]	12 [.47"]	10
450	18"	100 [3.93"]	3 [.12"]	2.5 [.10"]	110 [4.33"]	26 [1"]	9 [.35"]	12 [.47"]	11.2
500	20"	100 [3.93"]	3 [.12"]	2.5 [.10"]	110 [4.33"]	26 [1"]	9 [.35"]	12 [.47"]	13
600	24"	100 [3.93"]	3 [.12"]	2.5 [.10"]	110 [4.33"]	26 [1"]	9 [.35"]	12 [.47"]	16



Flowtrend Oval Manway with Outward Collar (FTOC)

Size	Nominal OD-L1 (in)	Nominal OD-L2 (in)	H	t	t1	Wt (kg)
435x335	17"	13"	75 [3.0"]	9 [.04"]	3 [.12"]	8
510x410	20"	16"	100 [3.9"]	12 [.5"]	3 [.12"]	1.5
535x435	21"	17"	160 [6.3"]	12 [.5"]	3 [.12"]	6.2



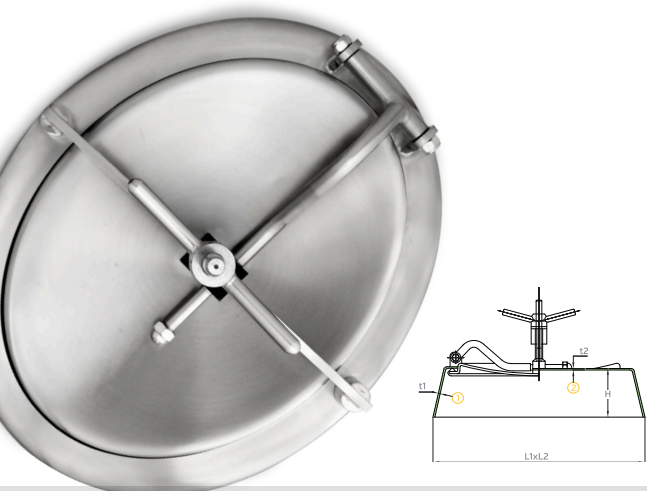
Flowtrend Rectangular Manway, Side Horizontal (FTSH)

Size	Nominal OD-L1 (in)	Nominal OD-L2 (in)	t	t1	H
435X335	13"	17"	8 [.32"]	3 [.12"]	65 [2.56"]
535X415	21"	16"	8 [.32"]	3 [.12"]	100 [3.93"]

Flowtrend Rectangular Manway, Side Vertical (FTSV)

Size	Nominal OD-L1 (in)	Nominal OD-L2 (in)	t	t1	H
435X335	17"	13"	8 [.32"]	3 [.12"]	65 [2.56"]
535X415	21"	16"	8 [.32"]	3 [.12"]	100 [3.93"]

Flowtrend Oval Manway with Angle Collar (FTOA) ◀

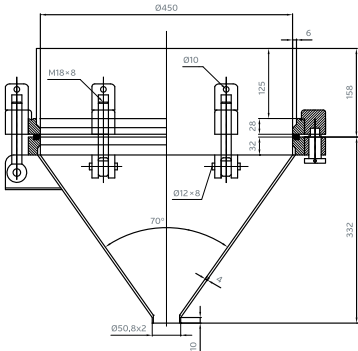


Size	Nominal OD-L1 (in)	Nominal OD-L2 (in)	H	t	t1	Wt (kg)
555x455	22"	18"	75 [3.0"]	5 [.20"]	4 [.20"]	6.5
565x465	22.2"	18.3"	100 [3.9"]	5 [.20"]	4 [.20"]	7
580x480	23"	19"	133 [5.2"]	5 [.20"]	4 [.20"]	7.5

Flowtrend Cone Bottom Manway (FTCB)* ▲

Size - Nominal ID/Angle	Height	Cone Thickness	Wt
450mm/70°	490mm	4mm	30Kg/66lbs

*Square or Round Gasket available



FLOWTREND
MANWAYS

Bio2 ▶

Unit of Measure	Flow Range	Pressure Range	Nominal Pressure	Max Working Temperature	Max Ambient Temperature	Wt
US	4 - 15 GPM	14 - 80 PSI	40 PSI	203°F	284°F	0.22 oz
Metric	0.9 - 3.3 m3/h	1 - 5 bar	3 bar	95°C	140°C	0.1 g

Scanjet Bio2
3/4" Clip-On ▶



Bio5 ▶

Unit of Measure	Flow Range	Pressure Range	Nominal Pressure	Max Working Temperature	Max Ambient Temperature	Wt
US	18 - 43 GPM	14 - 72 PSI	43 PSI	200°F	300°F	4.83-6.17 oz
Metric	4.1 - 9.8m3/h	1 - 5 bar	3 bar	95°C	150°C	150-137 g

Scanjet Bio5
1" Clip-On ▶



Bio7 ▶

Unit of Measure	Flow Range	Pressure Range	Nominal Pressure	Max Working Temperature	Max Ambient Temperature	Wt
US	47 - 120 GPM	14 - 72 PSI	43 PSI	200°F	300°F	15.94-16.83 oz
Metric	10.7- 27.5 m3/h	1 - 5 bar	3 bar	95°C	150°C	452-477 g

Scanjet Bio7
1.5" Clip-On ▶



Bio10

Unit of Measure	Flow Range	Pressure Range	Nominal Pressure	Max Working Temperature	Max Ambient Temperature	Wt
US	22 - 70 GPM	60 - 180 PSI	85 PSI	203°F	284°F	11 lbs
Metric	5 - 16 m3/h	4 - 10 bar	5 bar	95°C	140°C	5.1 Kg

Bio20

Unit of Measure	Flow Range	Pressure Range	Nominal Pressure	Max Working Temperature	Max Ambient Temperature	Wt
US	22 - 53 GPM	60 - 180 PSI	85 PSI	203°F	284°F	15.4 lbs
Metric	5 - 12 m3/h	4 - 10 bar	5 bar	95°C	140°C	7 Kg

Bio25 ▼

Unit of Measure	Flow Range	Pressure Range	Nominal Pressure	Max Working Temperature	Max Ambient Temperature	Wt
US	35 - 220 GPM	60 - 180 PSI	85 PSI	203°F	284°F	18.3 lbs
Metric	8 - 50 m3/hy	4 - 10 bar	5 bar	95°C	140°C	8.3 Kg

Clip On and Weld On are 3A certified*



Scanjet Bio25 ▶



FLOWTREND
**CLEANING
EQUIPMENT**

FLOWTREN D

SMARTER. FASTER FLUID HANDLING SOLUTIONS

Reliable and efficient, Flowtrend is a leading supplier of cost-effective, high-quality alternative fluid handling products. Our worldwide network of distributors provides end users with fast delivery and prompt service. Our extensive product program including 17,000 unique items covers a full range of wear parts as well as a variety of pumps, valves and tank equipment for major OEM suppliers.

All Flowtrend products are subject to pass our ISO 9001 quality control system and meet the material standards for quality in accordance with regional specifications. We value our customer's needs and guarantee a high-quality product that will ship the same day. And all at the lowest price on the market.

Flowtrend's experienced staff of experts and technicians from the world's leading fluid handling providers will help you find the right product—at the right price.

USA

11512 Space Center Blvd, Houston Texas 77059

P +1 281 990 8582 **F** +1 281 990 8644

EUROPE, EASTERN EUROPE

Industrivej Vest 36 Vejen DK-6600

P +45 7536 5600 **F** +45 7536 1473